

2003V

Overhead Closer

Introduction

The UK's most popular closer with adjustable power size EN 2-4. Since its launch the Briton 2003V has set new standards in performance, reliability and durability. Internally tested to EN 1154 to 1 million cycles, the Briton 2003V also provides the flexibility to 'fine tune' the closing power of the door to achieve the low 'opening force' requirements for ease of access.

Features & Functions

- Spring adjustable power size EN 2-4 door & transom mount, EN 1-3 parallel arm mount applications
- Certified, UKCA and CE marked for door mount pull, transom mount push and parallel arm push side applications.
- Capable of meeting the requirements for BS8300
- Adjustable closing speed & latch action
- Certified built-in adjustable backcheck in all applications to prevent damage to the door
- Effortless, easy adjustment
- Stylish flatarm in finish to match door closer cover
- Accufit self-adhesive fitting template for quick, accurate installation
- Suitable for fire and non fire door applications*
*For fire door applications, power size 3 is a requirement
- Classic robust Briton cover with authentic badge conceals fixings and adjustment screws



2003V.SES



certifire



Accufit



Certification

UKCA Marked to EN 1154 (1121-CPR-UK-AD7600)

CE Marked to EN 1154 (2812-CPR-AD0168)

Certifire Approved (CF111)

Fire tested to EN 1634-1 for use on fire doors up to 2hr timber / 4hr steel [** May be fitted to fully insulated steel based doorsets or uninsulated steel based doorsets where the closer is fitted to the fire risk face only*].

Environmental Product Declaration in accordance with ISO 14025 & EN 15804

DoP available at www.britondops.co.uk

Overhead Closer Briton 2003V

Product features	Product references
	2003V
Closer type	Projecting/scissor arm
UKCA & CE marked	■
Adjustable closing power EN size	2-4 (door & transom mount) 1-3 (parallel arm mount)
Door limits (width/weight)	1100mm/80kg
Maximum angle of opening	180° (door mount) 105° (transom & parallel arm mount)
Adjustable closing speed & latch action	■
Adjustable backcheck	■
Tri-pack armset	■
Cover variants	Classic C cover
Finishes available	SES
UKCA & CE Classification (door mount)	4 8 2-4 1 1 3
UKCA & CE Classification (transom & parallel arm mount)	3 8 2-4 1 1 3

Accessories & Parts for Briton 2003V

2003V.AP	Arm pack
2003V.BP	Backplate pack
2003V.BRK66	Fig. 66 bracket pack
2003V.CP	Cover pack
2003V.FP.ZP	Fixing pack

- Standard
- Available as an option/variant

Closer with Classic cover

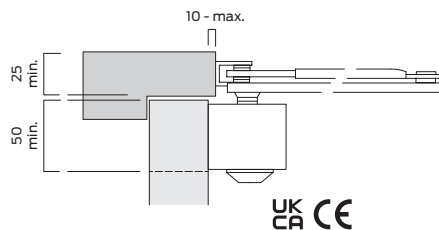
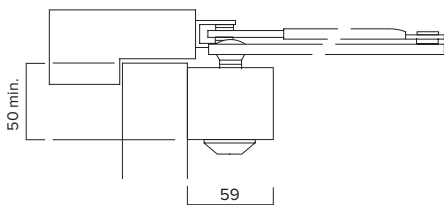


Fig.1
Door mount pull side

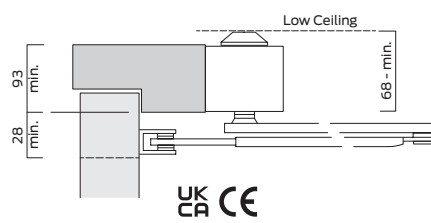
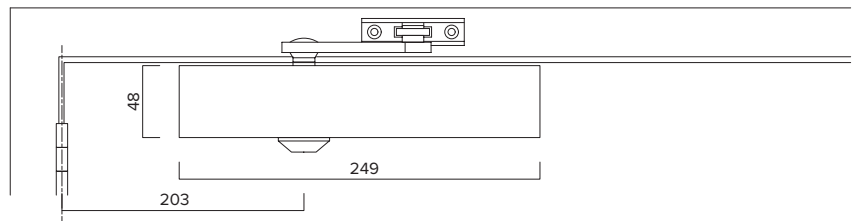


Fig.61
Transom mount push side

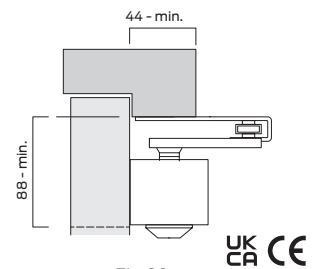


Fig.66
Parallel arm push side mount

All dimensions are in mm

Finishes

Supplied with matching armset and brackets.



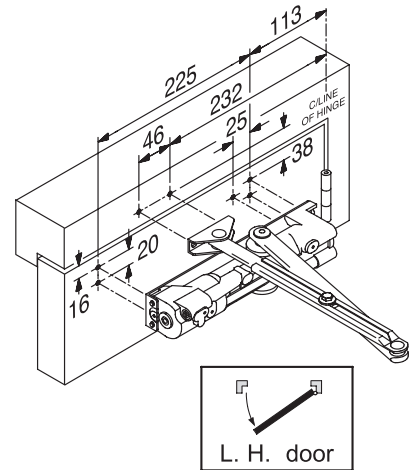
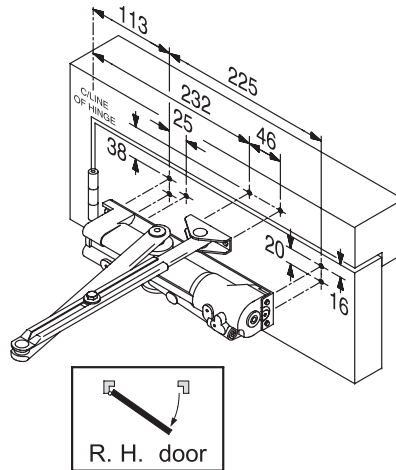
SES
Sprayed silver

Overhead Closers

Installation dimensions

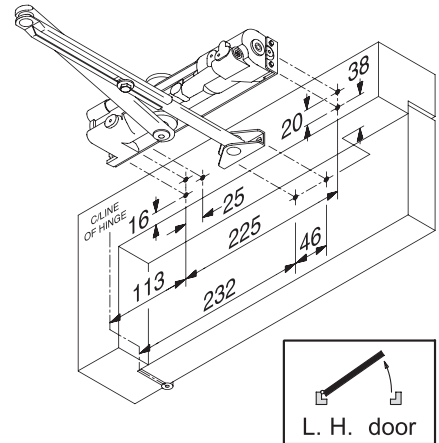
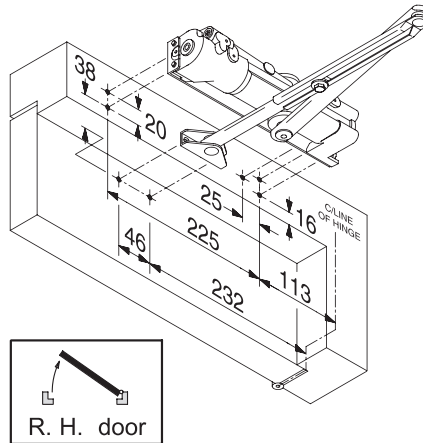
Regular Application [Fig.1]

Door mounted pull side application for power sizes EN 2 - 4



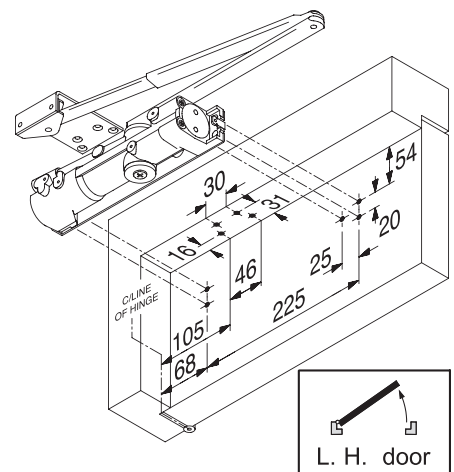
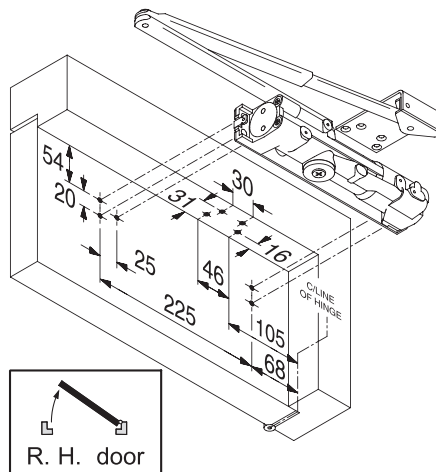
Transom Application [Fig.61]

Transom mounted push side for power sizes EN 2-4



Parallel Arm Application [Fig.66]

Door mounted push side for power sizes EN 1 - 3



General Maintenance

Door controls

Allegion has identified that many problems associated with overhead door closers can be attributed directly to errors in installation rather than problems with the door closer itself. If the door is not closing properly into the frame you should first disconnect the door closer (disconnect the arm(s)) and determine that there is not an underlying problem with the door, frame or any smoke /draft seals that might be fitted.

PLEASE NOTE:

The power of the door closer should not be used to overcome problems associated with the door or other items of hardware fitted to it. Under no circumstances should the closer body be dismantled.

Types of maintenance

Much of the routine maintenance recommended consists of a combination of visual and mechanical checks, cleaning and lubrication. Look out for the icons opposite which provide a 'quick glance' reminder of the maintenance required.

Visual checks

Primarily making a visual check on the product and surrounding door/frame looking for wear, damage, and general condition.



Functional checks

Consists of checking that the product operates properly ensuring the door can fully close without any binding or undue force required. Check that any seals or weatherstripping do not inhibit correct operation of the door.



Check fixings

Fixings need to be checked regularly and tightened when necessary. Check that no projection of fixings prevents the door from swinging freely.



Lubricating

Some products will benefit from periodic lubrication using a light machine oil or as instructed.



Cleaning

Build up of grease, dust and harmful chemicals should be removed to prevent corrosion and maintain the product finish.



Closer Maintenance

WEEKLY

Release the door from the fully open position and ensure that it closes fully into the frame. Ensure the latch (if fitted) engages fully into the strike plate. Repeat the process a few times from different angles of opening to ensure the door closes consistently each time.



Check and adjust the closing and latching speeds if necessary.

Check the backcheck comes into operation at the desired angle and readjust if necessary.

Check that the door or hardware does not come into contact with the door frame or the surrounding structure.



QUARTERLY

The fixings of the closer body and the bracket are subject to stress and should be checked carefully to make sure they are tight.



Periodically apply a little light machine oil to the moving joints of the arm and bracket.



Check any fire and smoke seals to ensure they do not foul the action of the door.



Check for any loss of fluid from the door closer body which would indicate a failing device.

Clean the closer body, arms and bracket if necessary following the guidance on "Care of Finishes" on page 16 of the "Service & Maintenance Guide".



FIRE DOOR APPLICATIONS

When installed as part of a fire precaution system the door closing mechanism, including the door selector if used on a double door arrangement, should be checked in accordance with standing periodic fire testing procedures.

Routinely check that all fixings of the closer body and bracket are tight.

Routine care of finishes as necessary.