

2820 Series Floorsprings

Introduction

Briton 2820 Series floor springs are designed for high traffic areas on single or double action doors. These fixed power units are ideally suited to timber, metal and tempered glass doors in areas where a discreet, high quality aesthetic is required, or where a surface mounted closer may be subject to abuse.

Features & Functions

- High grade cast iron floor spring body
- Fixed power units sizes EN 2, 3 & 4
- Suitable for single or double action doors
- Supplied complete with operating spindle suitable for glass patch
- Low profile steel cement box 40mm deep
- Full adjustment within the cement box for height and lateral positioning for perfect door alignment
- Easy access to adjustments for closing speed and latch action
- Removable cover plate
- Optional hold open facility 90° or 105°
- Maximum door width 1100mm (Briton 2824)
- Maximum door weight 80kg (Briton 2824)
- Doorstop must be fitted



Performance

Briton 2820 Series floor springs are mounted within a low profile cement box. They are suitable for single and double action doors and with optional hold-open facility.

Please note: Mechanical hold-open must not be used on fire door applications.



Certification

UKCA Marked to EN 1154 - 2823 (1121-CPR-UK-AD7596) & 2824 (1121-CPR-UK-AD7624)

CE Marked to EN 1154 - 2823 (2812-CPR-AD0304) & 2824 (2812-CPR-AD0305)

Fire tested to EN 1634-1 for use on fire doors up to 1hr timber

Environmental Product Declaration in accordance with ISO 14025 & EN15804

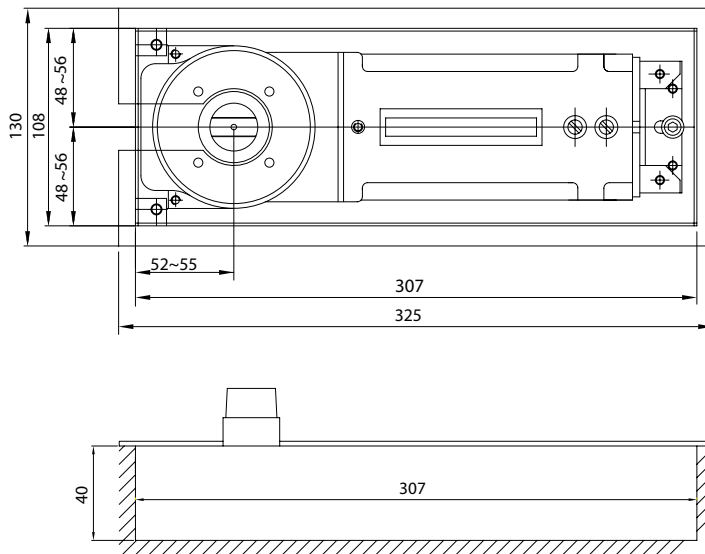
Guarantee 10 years (Briton 2823 & 2824 CE marked), 2 years (Briton 2822 Non CE marked)

DoP available at www.britondops.co.uk

Floorsprings Briton 2822, 2823 & 2824

| Product features | Product references | | | | |
|--|--|--------------------|--------------|--------------|--------------------|
| | 2822 | 2823 | 2823.HO.90 | 2823.HO.105 | 2824 |
| Closer type | Floor spring | Floor spring | Floor spring | Floor spring | Floor spring |
| UKCA & CE marked | | ■ | | | ■ |
| Fixed closing power EN size | 2 | 3 | 3 | 3 | 4 |
| Door limits (width/weight) | 850mm/40kg | 950mm/60kg | 950mm/60kg | 950mm/60kg | 1100mm/80kg |
| Suitable for single action doors | ■ | ■ | ■ | ■ | ■ |
| Suitable for double action doors | ■ | ■ | ■ | ■ | ■ |
| Maximum angle of opening | 130° | 130° | 130° | 130° | 130° |
| Adjustable closing speed & latch action | ■ | ■ | ■ | ■ | ■ |
| Dimensions | cement box 307 x 108 x 40mm; cover plate 325 x 130mm | | | | |
| Mechanical hold-open facility (not suitable for fire doors) | | | ■ at 90° | ■ at 105° | |
| Finishes available | SS | SS | SS | SS | SS |
| Guarantee period | 2 years | 10 years | 10 years | 10 years | 10 years |
| CE Classification | - | 4 8 3 1 1 3 | - | - | 4 8 4 1 1 3 |

■ Standard □ Available as an option/variant



All dimensions are in mm

Finishes

Finish options apply to the cover plate only.



2820 Series Accessories

Introduction

The Briton 2820 Series floor springs are suitable for single or double action doors. A series of accessories is available to suit timber or metal doors.

Double Action - Briton 2820 DAP

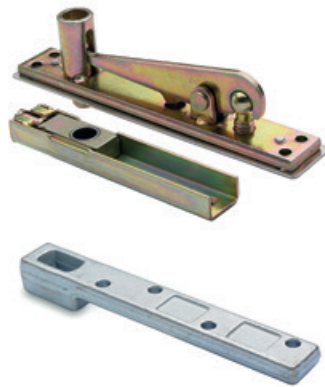
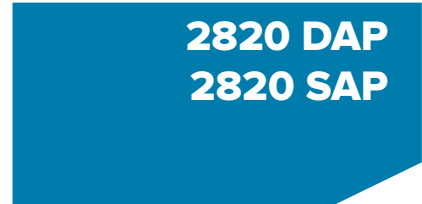
Two part top pivot accessory with lateral adjustment screw accessed from the edge of door. Top pivot is retractable to allow the door to be installed/removed.

Bottom strap to align with floor spring spindle.

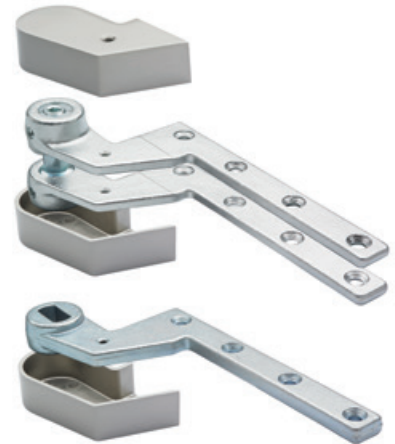
Single Action - Briton 2820 SAP

Two part top pivot accessory with cover caps. This assembly is reversible for left or right hand doors.

Bottom strap with cover cap to align with floor spring spindle.

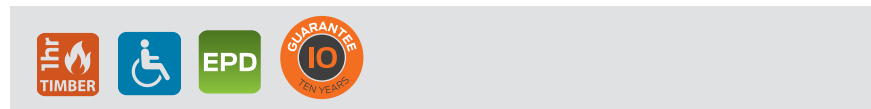


2820 DAP



2820 SAP

| Product Ref: | Description | Finishes |
|--------------------|--|----------|
| 2820 DAP | Double action accessory pack | SS |
| 2820 SAP | Single action accessory pack | SS |
| 2820.IP.DAP | Intumescent fire protection pack for double action doors and accessories | N/A |
| 2820.IP.SAP | Intumescent fire protection pack for single action doors and accessories | N/A |



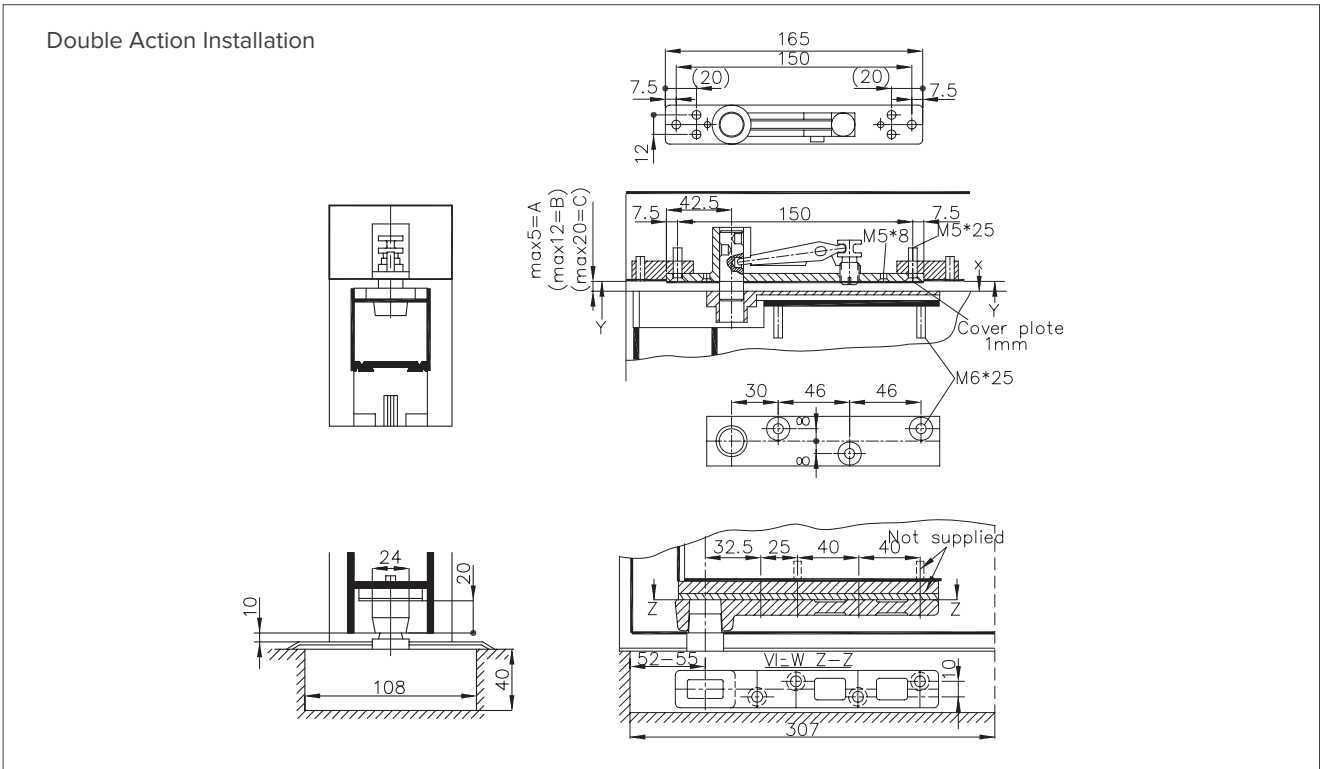
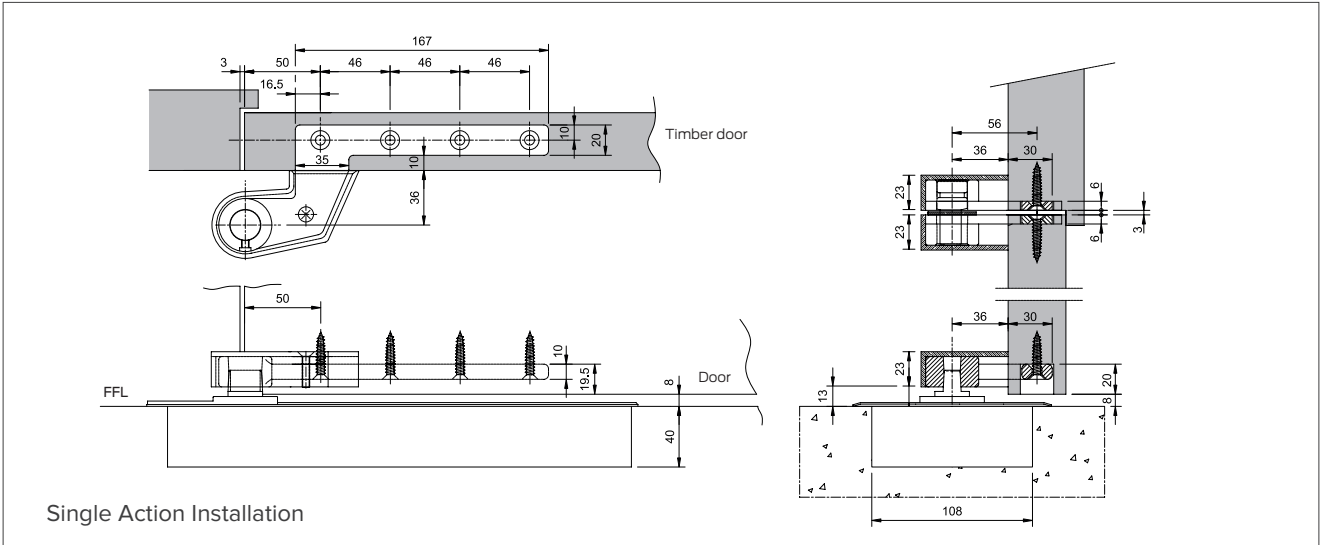
Certification

Fire tested to EN 1634-1 for use on fire doors up to 1hr timber

Environmental Product Declaration in accordance with ISO 14025 & EN15804

DoP available at www.britondops.co.uk

Floorspring Accessories



All dimensions are in mm

General Maintenance

Door controls

In research, Allegion has identified that 95% of all problems associated with overhead door closers can be attributed directly to errors in installation rather than problems with the door closer itself. If the door is not closing properly into the frame you should first disconnect the door closer (disconnect the arm(s)) and determine that there is not an underlying problem with the door, frame or any smoke / draft seals that might be fitted.

PLEASE NOTE:

The power of the door closer should not be used to overcome problems associated with the door or other items of hardware fitted to it. Under no circumstances should the closer body be dismantled.

Types of maintenance

Much of the routine maintenance recommended consists of a combination of visual and mechanical checks, cleaning and lubrication. Look out for the icons opposite which provide a 'quick glance' reminder of the maintenance required.

Visual checks

Primarily making a visual check on the product and surrounding door/frame looking for wear, damage, and general condition.



Functional checks

Consists of checking that the product operates properly ensuring the door can fully close without any binding or undue force required. Check that any seals or weatherstripping do not inhibit correct operation of the door



Check fixings

Fixings need to be checked regularly and tightened when necessary. Check that no projection of fixings prevents the door from swinging freely.



Lubricating

Some products will benefit from periodic lubrication using a light machine oil or as instructed.



Cleaning

Build up of grease, dust and harmful chemicals (e.g from floor cleaning) should be removed to prevent corrosion and maintain the product finish.



Accessibility

Electromagnetic door controls and low energy operators are an essential part of providing accessibility. Routine checks should be carried out to ensure continued performance.



Floor Spring Maintenance

Briton floor springs require very little general maintenance if fitted correctly. The long term durability of the floor spring is dependent on the accuracy of fitting and the durability of the door and frame construction.

Doors designated as being on a fire route exit have to be periodically inspected to make sure that they meet the same standards as when they were originally installed.

No regular maintenance is required but the test and inspections detailed below should be carried out to ensure the door and floor spring is operating correctly.

WEEKLY

Carefully inspect the lower pivot and remove any debris and corrosive fluids which may have been deposited. Inspect the upper pivot for any signs of wear. Failure to replace any worn pivots could result in the door jamming at critical times.



Test the operation of the floor spring and the door by releasing the door from the fully open position and ensure that the door closes fully into the frame and that the latch (if fitted) engages fully into the strike plate. Repeat the process a few times from different opening angles (and from both directions on double action doors) to ensure the door closes consistently each time.



Check that the door or hardware does not come into contact with the door frame or the surrounding structure.

Check that the door is not warped and that any seals are not preventing the door from closing properly.

The power of the floor spring should not be used to overcome problems associated with the door or other items of hardware fitted to it.

QUARTERLY

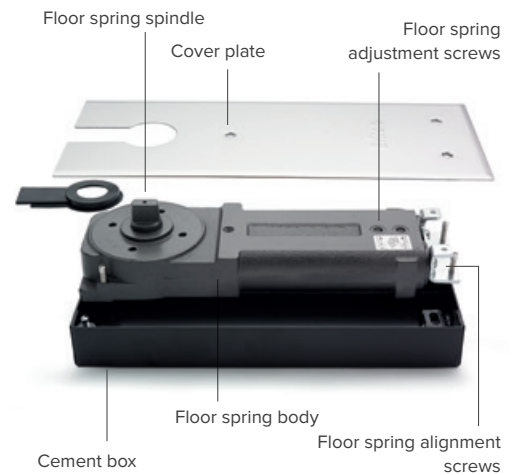
Check that the floor spring mechanism is firmly located within the loose cement box and there is no movement of the mechanism.



Check the fixings of the top and bottom pivot are tight and apply a little light machine oil to the top and bottom pivots.



Make sure the pivot covers (if fitted on single action door accessories) and the floor spring cover plate are clean and free from dirt and grease as directed by the "Care of Finishes" on page 16 of the 'Service & Maintenance Guide'.



Briton 2800 single action floor spring with cover plate removed to provide access to adjustment and alignment screws.



Accessories for single action doors

Accessories for double action doors

